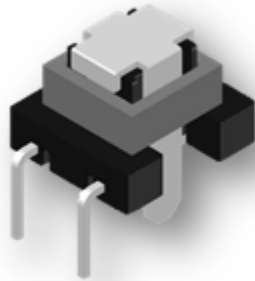




CMCT E0706-D

Picture



Features

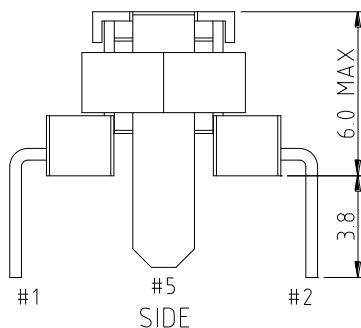
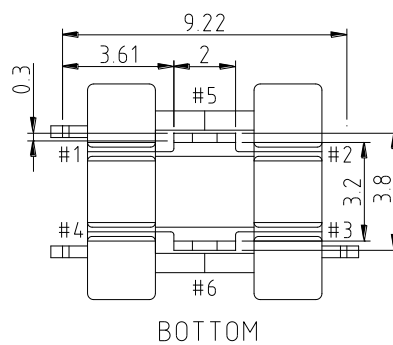
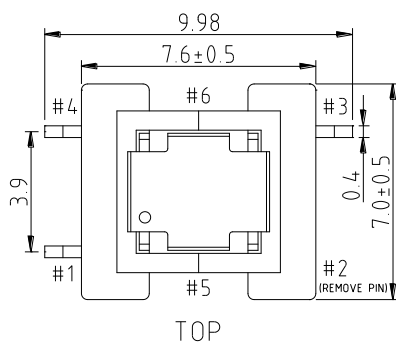
- ▶ Very low DC Resistance
- ▶ Different turns ratios
- ▶ Small package
- ▶ RoHS compliant

Applications

- ▶ Switching power supplies / Feedback control / Overload sensing / Load drop/shut down detection

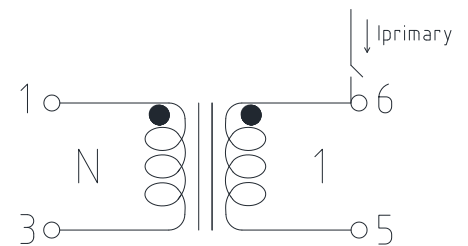
Dimension (Unit:mm)

※ Unlabeled Tolerance : ± 0.2



Schematic

Diagram



Specifications

Part No.	Inductance (1-3) Min.	DCR (1-3) Max.	TURNS RATIO (1-3):(5-6)
CMCT E0706-D	2.0 mH	6.0 Ω	100:1 $\pm 3\%$

- Inductance&Coupling Capacitance test condition : 100kHz, 0.1V
- HI-POT Test Condition : 500Vrms/1mA/1sec
- Operating Temperature Range(including self temperature) : -40 °c ~ +125 °c

Ilisan Sales Office (KOREA) +82)31-904-1444
 Shenzhen Sales Office (CHINA) +86)755-8663-6929
 Hungary Sales office (EUROPE) +36)30-913-7706

H.K Sales Office (HONGKONG) +852)2711-5551
 LA Sales Office (USA) +1)866-446-3586

▪ You can also contact us by e-mail : coilmaster@coilmaster.com

- All specifications are subject to change without notice.
- Update date : 2019.01.04

www.coilmaster.com