

# CMCT E0706

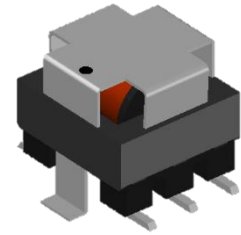


## Features

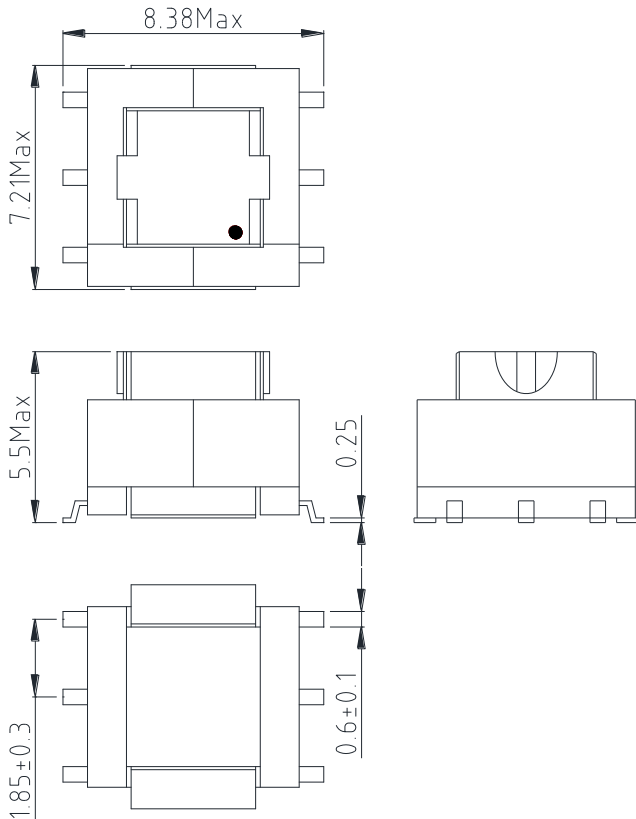
- ▶ Very low DC Resistance
- ▶ Different turns ratios
- ▶ Small package
- ▶ RoHS compliant

## Applications

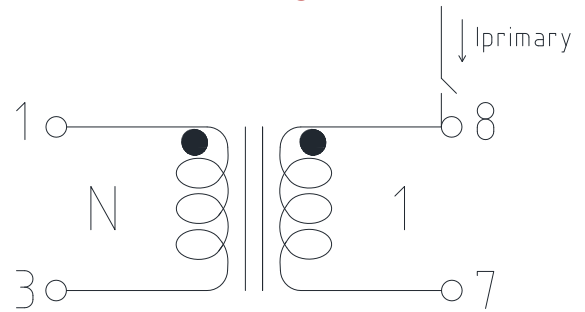
- ▶ Switching power supplies
- ▶ Feedback control
- ▶ Overload sensing
- ▶ Load drop/shut down detection



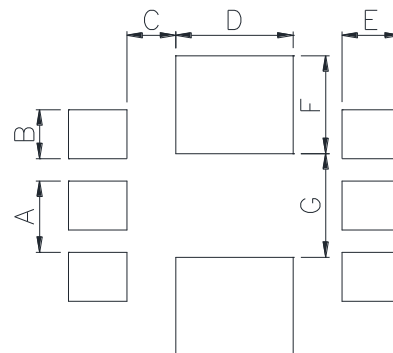
## Dimension (Unit:mm)



## Schematic Diagram



## Land Pattern (Unit:mm)



A	B	C	D	E	F	G
1.85	1.27	1.27	3.05	1.52	2.54	2.69

## Specification

Part Number	Inductance Min.	DCR Max.	URNS RATIO
	1-3	1-3	(1-3):(8-7)
CMCT E0706	2.0 mH	6.0 Ω	100:1 ±3%

- Inductance&Coupling Capacitance test condition : 100kHz, 0.1V
- HI-POT Test Condition : 2500Vac/50/60Hz/1Ma/1Min
- Operating Temperature Range(including self temperature) : -40℃ ~ +125℃

Ilsan Sales Office (KOREA) +82)31-904-1444  
 Shenzhen Sales Office (CHINA) +86)755-8663-6929  
 Hungary Sales office (EUROPE) +36)30-913-7706

H.K Sales Office (HONGKONG) +852)2711-5551  
 LA Sales Office (USA) +1)866-446-3586

- All specifications are subject to change without notice.
- Update date : 2018.09.11