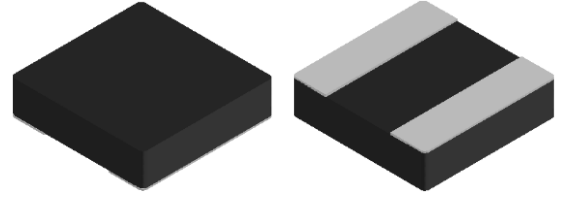




# CMI-CMMP7018HL-SERIES

## Features

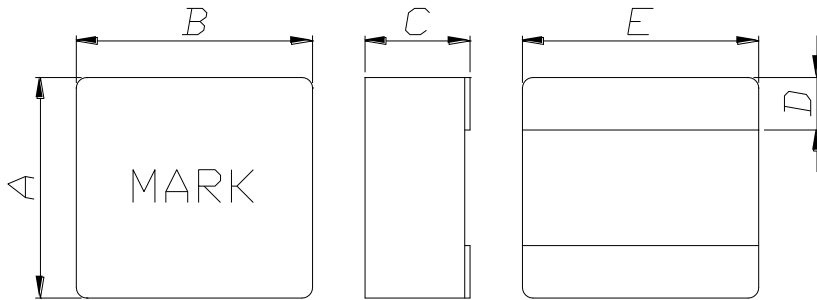
- ▶ High current and low profile
- ▶ Metal powder molding type for EMC protection.
- ▶ Available tape and reel for auto insertion.
- ▶ Halogen-Free / RoHS compliant.
- ▶ AEC-Q200 qualified.



## Applications

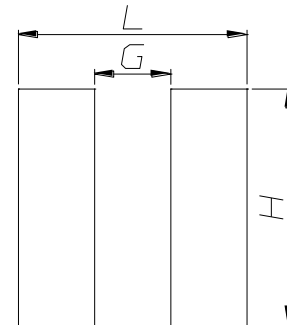
- ▶ Car navigation, Car stereo and Car accessories, ADAS ECU, In-C-Vehicle camera (View camera, Sensing camera), Automotive communication module.

### Dimension (Unit:mm)



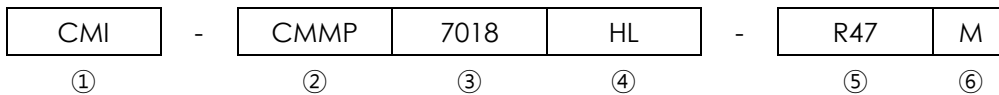
A	B	C	D	E
7.0±0.3	6.6±0.3	1.8 Max.	1.8±0.3	6.6±0.3

### Land Pattern (Unit:mm)



L	G	H
8.4	3.7	7.5

## Regulation of part number



- ① CoilMaster's initial
- ② Series Name : Car Magic Material Power inductor
- ③ Core Size (unit:mm)
- ④ Type
- ⑤ Typical inductance value (0.47uH)
- ⑥ Inductance tolerance (±20%)

- You can also contact us by e-mail : [coilmaster@coilmaster.com](mailto:coilmaster@coilmaster.com)
- All specifications are subject to change without notice.
- Update date : 2020.11.12

## Specifications

Part Number	Inductance (uH) $\pm 20\%$	DCR(mohm) Max(Typ)	IDC1(A) Max(Typ)	IDC2(A) Max(Typ)	Test Frequency (Hz)
CMI-CMMP7018HL-R47M	0.47	9.6(8.0)	25.00(27.00)	9.50(10.50)	1M
CMI-CMMP7018HL-R68M	0.68	12.0(10.0)	18.00(20.00)	8.70(9.70)	1M
CMI-CMMP7018HL-1R0M	1.0	19.2(16.0)	14.00(16.00)	8.00(8.80)	1M
CMI-CMMP7018HL-2R2M	2.2	34.2(28.5)	8.50(9.50)	5.50(6.10)	1M
CMI-CMMP7018HL-3R3M	3.3	48.0(40.0)	7.70(8.50)	4.90(5.40)	1M
CMI-CMMP7018HL-4R7M	4.7	72.0(60.0)	6.40(7.10)	4.10(4.50)	1M
CMI-CMMP7018HL-6R8M	6.8	102(85.0)	5.40(6.00)	3.70(4.10)	1M
CMI-CMMP7018HL-100M	10	150(125)	4.50(5.00)	3.00(3.30)	1M

- Isat: When based on the inductance change rate (approximately 30% below in the initial value)
- Itemp: When based on the temperature increase (Temperature increase of approximately 40°C by self heating)
- Operating Temperature Range(including self temperature) : -40°C ~ +150 °c

Note 1 : Circuit design, component placement, PCB trace size and thickness, airflow and other cooling. Provision all affect the part Temperature. Part temperature should be verified in the end application.

• You can also contact us by e-mail : [coilmaster@coilmaster.com](mailto:coilmaster@coilmaster.com)

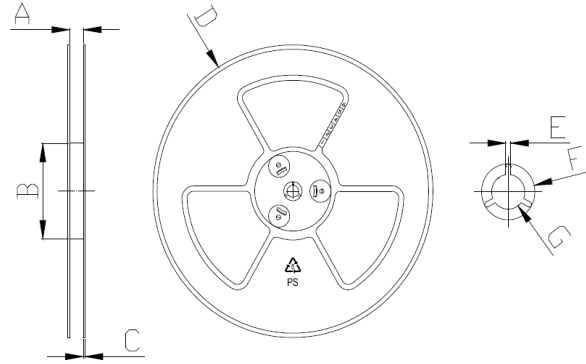
- All specifications are subject to change without notice.
- Update date : 2020.11.12

[www.coilmaster.com](http://www.coilmaster.com)

## Packaging

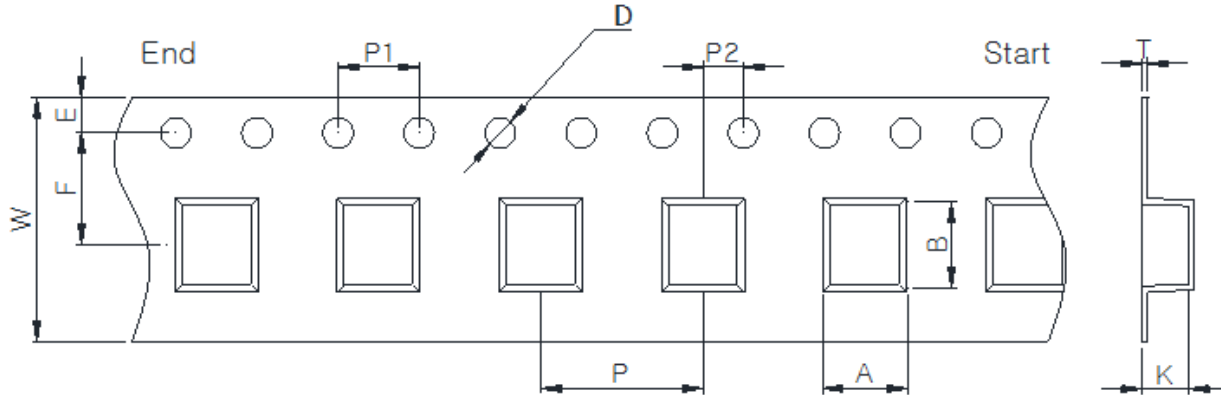
(1) Package quantity : 2,000 (pcs/reel)

(2) Reel Dimensions (unit:mm)



A	B	C	D	E	F	G
16.50	100.0	2.00	330.0	2.30	21.50	13.00
+0.50	+1.00	+0.10	+3.00	+0.30	+0.30	+0.50
-0.50	-1.00	-0.10	-3.00	-0.30	-0.30	-0.20

(3) Tape Dimensions



W	A	B	K	E	F	P	P1	P2	D	T
16.00	7.00	7.50	2.20	1.75	7.50	12.00	4.00	2.00	1.50	0.30
+0.30	+0.10	+0.10	+0.10	+0.10	+0.10	+0.10	+0.10	+0.10	+0.10	+0.05
-0.10	-0.10	-0.10	-0.10	-0.10	-0.10	-0.10	-0.10	-0.10	-0.00	-0.05

Ilisan Sales Office (KOREA) +82)31-904-1444  
 Shenzhen Sales Office (CHINA) +86)755-8663-6929  
 Hungary Sales office (EUROPE) +36)30-913-7706

H.K Sales Office (HONGKONG) +852)2711-5551  
 LA Sales Office (USA) +1)866-446-3586

• You can also contact us by e-mail : [coilmaster@coilmaster.com](mailto:coilmaster@coilmaster.com)

- All specifications are subject to change without notice.
- Update date : 2020.11.12

[www.coilmaster.com](http://www.coilmaster.com)