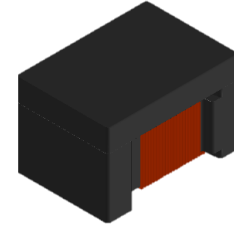




# CME-CSCF4532B-SERIES

## Features

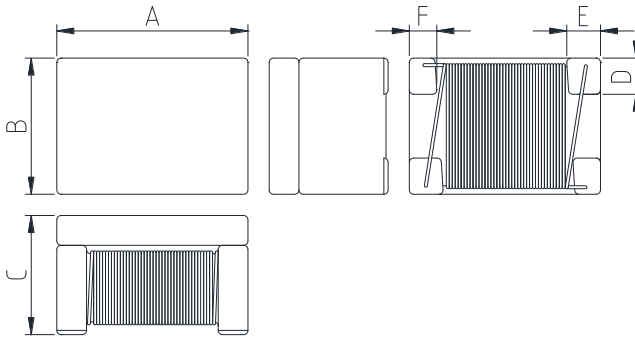
- ▶ High common mode impedance at high frequency effects  
Excellent noise suppression performance.
- ▶ Realizes small size and low profile.
- ▶ Halogen-Free / RoHS compliant.
- ▶ AEC-Q200 qualified.



## Applications

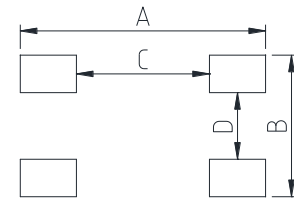
- ▶ CAN-BUS, FAXs, modems, ISDNs, etc.

### Dimension (Unit:mm)



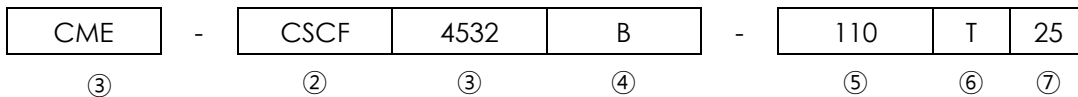
A	B	C	D	E	F
4.5±0.2	3.2±0.2	2.8±0.2	0.95±0.2	0.8±0.2	0.6±0.2

### Land Pattern (Unit:mm)



A	B	C	D
5.9	3.4	3.2	1.6

## Regulation of part number



- ① CoilMaster's initial
- ② Series Name : Car Signal line Common mode Filter
- ③ Core Size (unit:mm)
- ④ Type
- ⑤ Common mode inductance value (11.0 uH)
- ⑥ Packing type
- ⑦ Rated Current

- You can also contact us by e-mail : [coilmaster@coilmaster.com](mailto:coilmaster@coilmaster.com)
- All specifications are subject to change without notice.
- Update date : 2022.05.06

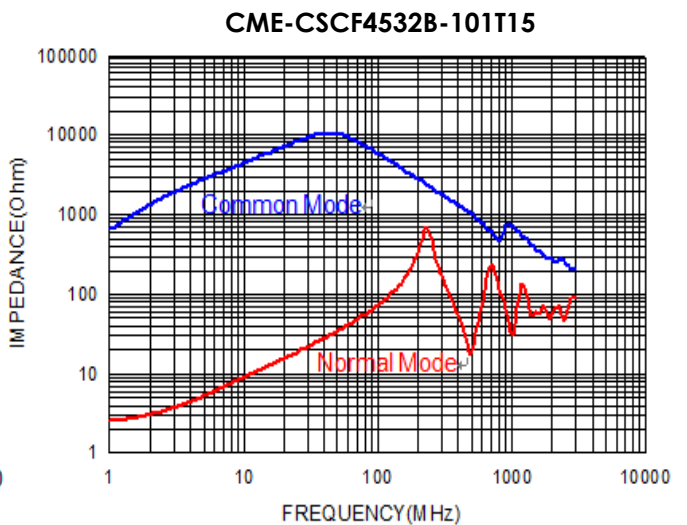
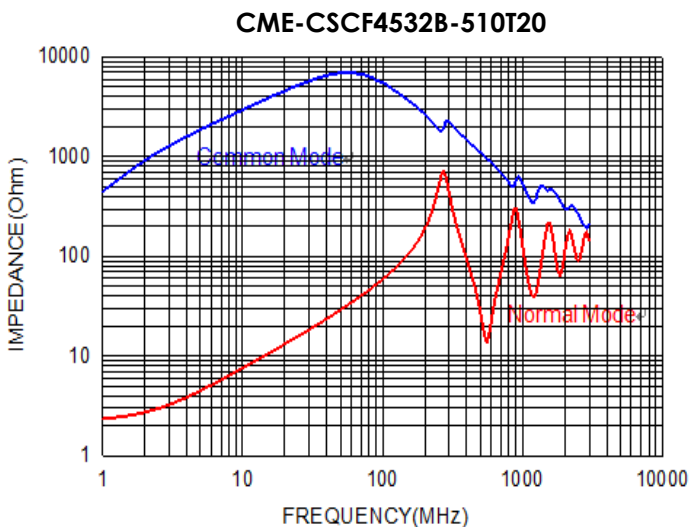
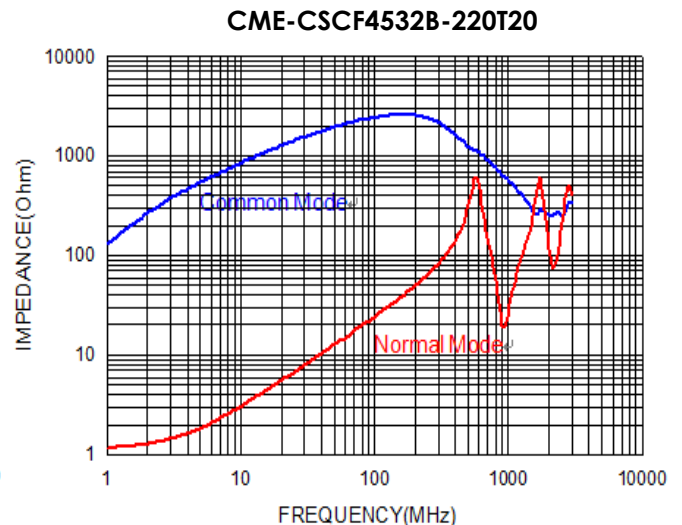
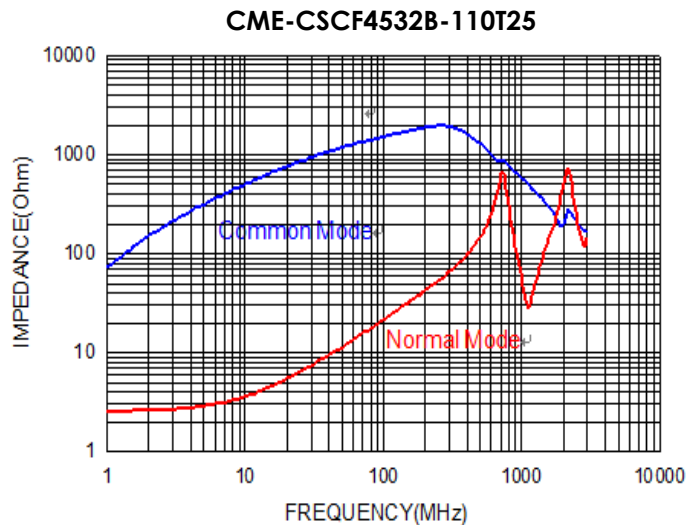
## Specifications

Part Number	Inductance ( $\mu\text{H}$ )	Impedance ( $\Omega$ ) Min.(Typ.)	DCR ( $\Omega$ ) Max.	IDC1 (mA) Max.	Insulation Resistance (M $\Omega$ ) Min.	Rated Voltage (V) Max.
CME-CSCF4532B-110T25	11	300(600)	0.6	360	10	50
CME-CSCF4532B-220T20	22	500(1200)	1.0	310	10	50
CME-CSCF4532B-510T20	51	1000(2800)	1.0	200	10	50
CME-CSCF4532B-101T15	100	2000(5800)	2.0	150	10	50

- Inductance test condition : 100 kHz ( L tolerance+50/-30% )
- Impedance test condition : 10 MHz
- Operating Temperature Range(including self temperature) :  $-40^{\circ}\text{C} \sim +125^{\circ}\text{C}$

Note 1 : Circuit design, component placement, PCB trace size and thickness, airflow and other cooling. Provision all affect the part Temperature. Part temperature should be verified in the end application.

## Impedance VS Frequency characteristics

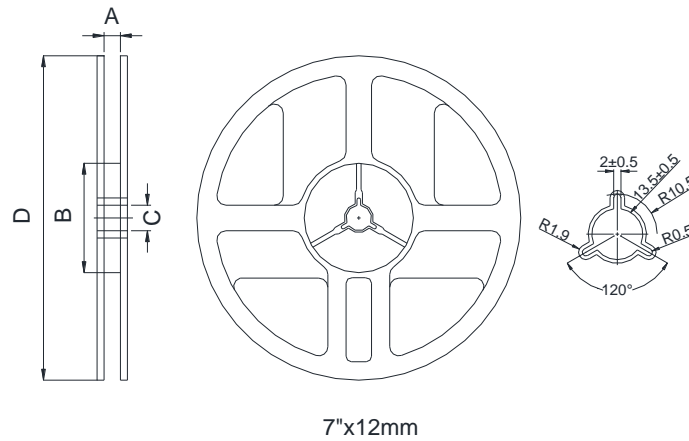


- You can also contact us by e-mail : [coilmaster@coilmaster.com](mailto:coilmaster@coilmaster.com)
- All specifications are subject to change without notice.
- Update date : 2022.05.06

## Packaging

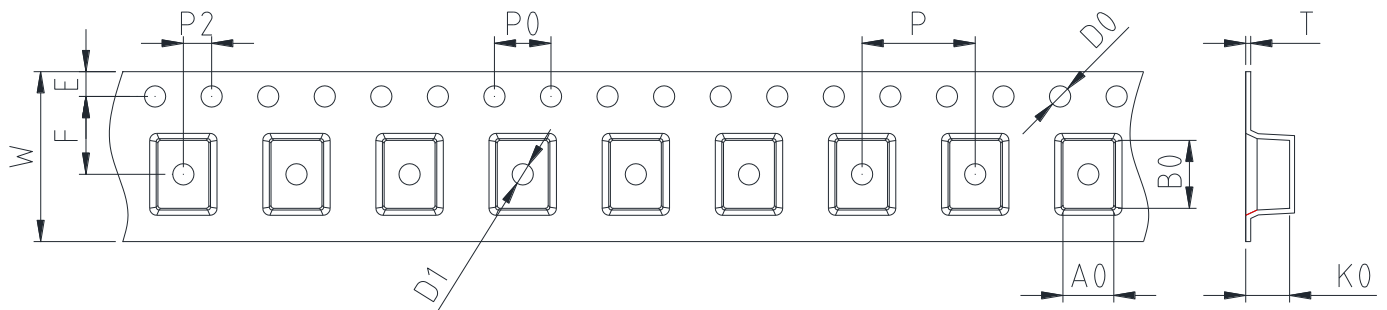
(1) Package quantity : 500 (pcs/reel)

(2) Reel Dimensions (unit:mm)



A	B	C	D
13.5±0.5	60.0±2.0	13.5±0.5	178±2.0

(3) Tape Dimensions



W	A0	B0	K0	E	F	P	P0	P2	D0/D1	T
12.00	3.60	4.80	3.10	1.75	5.50	8.00	4.00	2.00	1.50	0.35
+0.30	+0.10	+0.10	+0.10	+0.10	+0.10	+0.10	+0.10	+0.10	+0.10	+0.05
-0.10	-0.10	-0.10	-0.10	-0.10	-0.10	-0.10	-0.10	-0.10	-0.00	-0.05

Ilisan Sales Office (KOREA) +82)31-904-1444  
 China Sales Office (CHINA) +86)758-278-7031  
 Hungary Sales office (EUROPE) +36)1-899-8543

H.K Sales Office (HONGKONG) +852)2711-5551  
 LA Sales Office (USA) +1)866-446-3586

• You can also contact us by e-mail : [coilmaster@coilmaster.com](mailto:coilmaster@coilmaster.com)

- All specifications are subject to change without notice.
- Update date : 2022.05.06

[www.coilmaster.com](http://www.coilmaster.com)