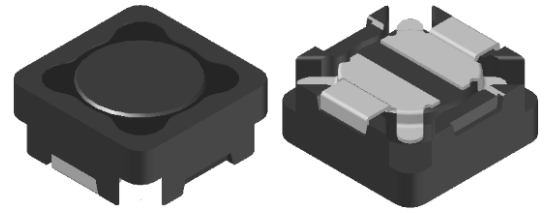




CMI-CSSP7032NF-SERIES

Features

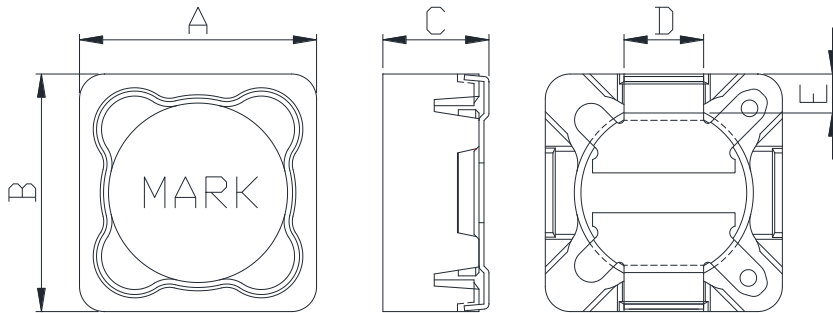
- ▶ Magnetic shield type wound inductor for power circuits.
- ▶ Available tape and reel for auto insertion
- ▶ RoHS compliant
- ▶ AEC-Q200 qualified



Applications

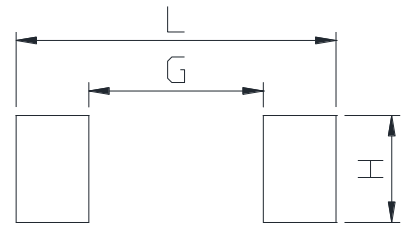
- ▶ Equipment using for automobiles
(ECM, Airbags, Headlights, Electronic Powder Steering, Motors, ABS, other)

Dimension (Unit:mm)



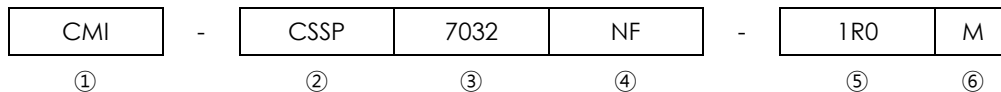
A	B	C	D	E
7.15±0.2	7.15±0.2	3.2 Max	2.4±0.2	1.1±0.2

Land Pattern (Unit:mm)



L	G	H
7.4	5.0	3.0

Regulation of part number



- ① CoilMaster's initial
- ② Series Name : Car Shielded core Square shape Pin type Power Inductor
- ③ Core Size (unit:mm)
- ④ Type
- ⑤ Typical inductance value (1.0 uH)
- ⑥ Inductance tolerance (±20%)

- You can also contact us by e-mail : coilmaster@coilmaster.com
- All specifications are subject to change without notice.
- Update date : 2021.11.17

Specifications

Part Number	Inductance (μH)	Tolerance (±)	DCR (mohm) Max.(Typ.)	IDC1(A) Max.(Typ.)	IDC2(A) Max.(Typ.)	Test Frequency (Hz)
CMI-CSSP7032NF-1R0M	1.0	20%	18(15)	5.70(6.30)	5.80(6.50)	100k
CMI-CSSP7032NF-2R2M	2.2	20%	24(20)	4.80(5.30)	5.60(6.20)	100k
CMI-CSSP7032NF-4R7M	4.7	20%	27.2(31)	3.60(3.80)	4.20(4.60)	100k
CMI-CSSP7032NF-100M	10	20%	67.2(56)	2.30(2.50)	2.70(2.90)	100k
CMI-CSSP7032NF-150M	15	20%	110(92)	1.90(2.15)	2.30(2.60)	100k
CMI-CSSP7032NF-101M	100	20%	525(438)	0.75(0.80)	1.10(1.30)	100k

- IDC1: When based on the inductance change rate (approximately 30% below in the initial value)
- IDC2: When based on the temperature increase (Temperature increase of approximately 40°C by self heating)
- Operating Temperature Range(including self temperature) : -40°C ~ +165°C

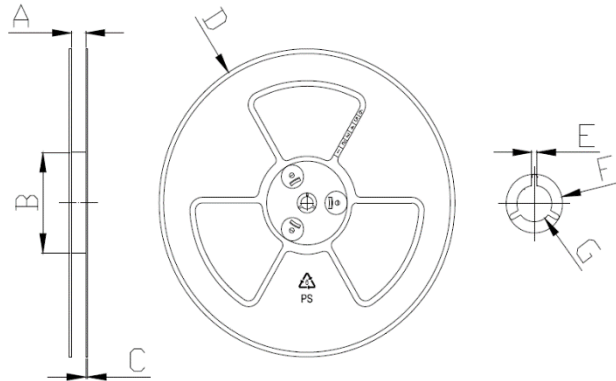
Note 1 : Circuit design, component placement, PCB trace size and thickness, airflow and other cooling. Provision all affect the part Temperature. Part temperature should be verified in the end application.

- **You can also contact us by e-mail : coilmaster@coilmaster.com**
- All specifications are subject to change without notice.
- Update date : 2021.11.17

Packaging

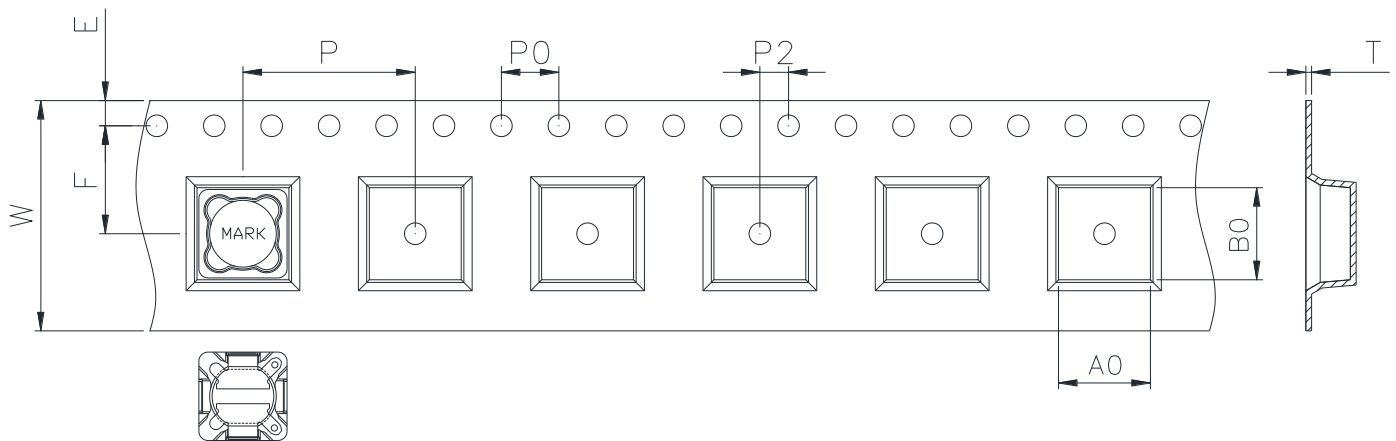
(1) Package quantity : 1,000 (pcs/reel)

(2) Reel Dimensions (unit:mm)



A	B	C	D	E	F	G
16.50	100.0	2.00	330.0	2.30	21.50	13.00
+0.50	+1.00	+0.10	+3.00	+0.30	+0.30	+0.50
-0.50	-1.00	-0.10	-3.00	-0.30	-0.30	-0.20

(3) Tape Dimensions



W	A0	B0	K0	E	F	P	P0	P2	D0/D1	T
16.00	7.45	7.45	3.60	1.75	7.50	12.00	4.00	2.00	1.50	0.40
+0.30	+0.15	+0.15	+0.10	+0.10	+0.10	+0.10	+0.10	+0.10	+0.10	+0.05
-0.10	-0.15	-0.15	-0.10	-0.10	-0.10	-0.10	-0.10	-0.10	-0.00	-0.05

Ilisan Sales Office (KOREA) +82)31-904-1444
 Shenzhen Sales Office (CHINA) +86)755-8663-6929
 Hungary Sales office (EUROPE) +36)30-913-7706

H.K Sales Office (HONGKONG) +852)2711-5551
 LA Sales Office (USA) +1)866-446-3586

- You can also contact us by e-mail : coilmaster@coilmaster.com
- All specifications are subject to change without notice.
- Update date : 2021.11.17

www.coilmaster.com