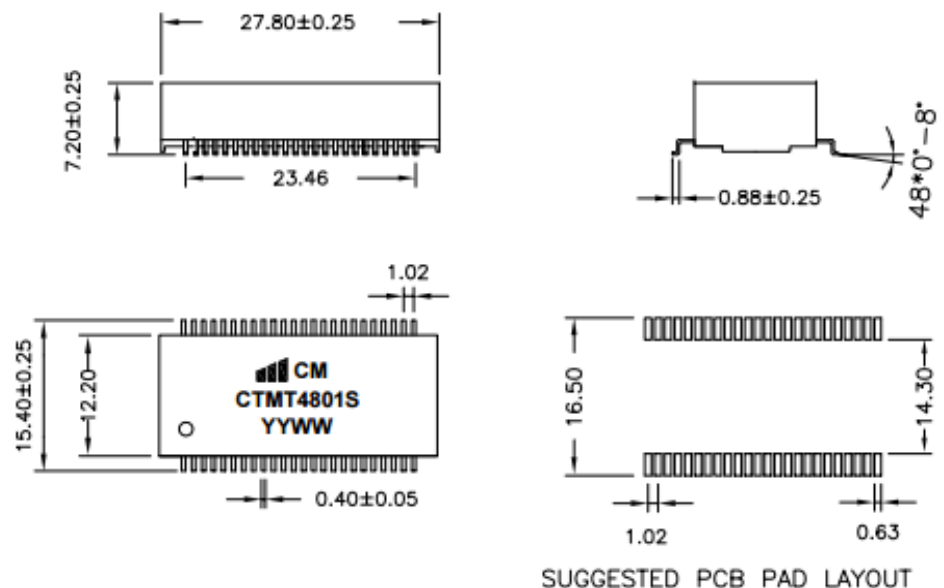


1000BASE-TX TRANSFORMER MODULE

RoHS Compliant

Mechanicals:

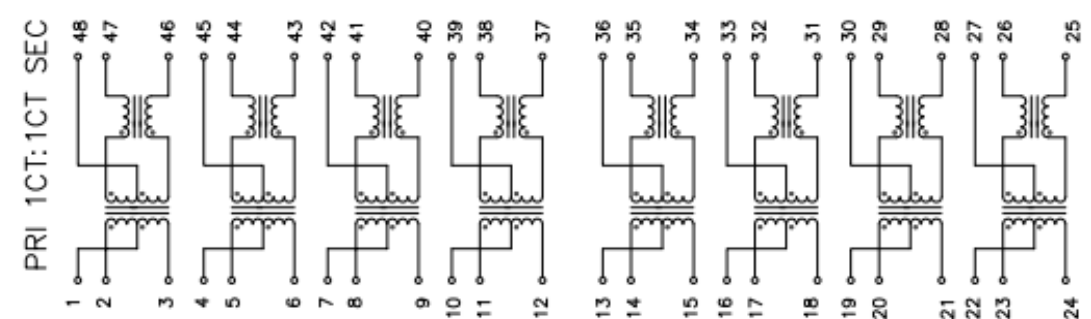


SUGGESTED PCB PAD LAYOUT

Electrical Specifications: @25°C

- Operating Temperature: 0°C ~ +70°C
- Isolation Voltage: 1500 Vrms (INPUT to OUTPUT)
- Turn Ratio: TX=RX=1CT:1CT±3%
- OCL: 350uH Minimum @100KHz 100mV 8mADC
- Leakage Inductance: 0.4 uH Max @100KHz 100mV
- CW/W: 20pF Typ @100KHz 100mV
- Insertion Loss: -1.1dB Maximum(0.1~80MHz)
- Return Loss: -18dB Minimum @1MHz ~ 30MHz
-12dB Minimum @30MHz-80MHz
- CMRR: -35dB Min.@30-100MHz
- Crosstalk: -40dB Typ.@1-100MHz

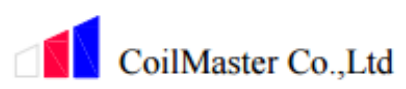
Schematics:



*Specification Subject to Change Without Notice

www.coilmaster.com

Modify Note:



P/N: CTMT4801S	DIMENSIONS IN MM		Unless otherwise specified Dim. Tolerances are: .xx ±0.25
	SCALE: NONE		
TEL: +82-31-904-1444 FAX: +82-31-909-8204 E-mail:Coilmaster@Coilmaster.com			

Ver: A	DRWN: jason DATE: 2015/11/16
Page: 1/1	CHKD: zouhui DATE: 2015/11/16
APPD: jack DATE: 2015/11/16	